

TROUBLESHOOTING TIPS

If the top or controller does not work, check for the following:

- Too much light. Solution: Move to a play area away from direct sunlight or halogen lights.
- Controller needs to be reset. Solution: Have an adult press the reset button on the controller.
- The channels do not match. Solution: Make sure your top and your controller are on the same channel.
- Exhausted batteries. Solution: Insert fresh batteries.
- IR lens is blocked. Solution: Make sure the lens on the controller is not covered.
- IR signal is not reaching top. Solution: Make sure the IR Spin Control is aimed directly at the top.
Solution: Decrease the distance between the controller and the top.

IMPORTANT: BATTERY INFORMATION



CAUTION:

1. As with all small batteries, the batteries used with this toy should be kept away from small children who still put things in their mouths. If they are swallowed, promptly see a doctor and have the doctor phone (202) 625-3333 collect. If you reside outside the United States, have the doctor call your local poison control center.
2. Always follow the instructions carefully. Use only batteries specified and be sure to insert them correctly by matching the + and - polarity markings.
3. Do not mix old batteries and new batteries or standard (carbon-zinc) with alkaline batteries.
4. Remove exhausted or dead batteries from the product.
5. Remove batteries if product is not to be played with for a long time.
6. Do not short-circuit the supply terminals.
7. Should this product cause, or be affected by, local electrical interference, move it away from other electrical equipment. Reset (switching off and back on again or removing and re-inserting batteries) if necessary.
8. RECHARGEABLE BATTERIES: Do not mix these with any other types of batteries. Always remove from the product before recharging. Recharge batteries under adult supervision. DO NOT RECHARGE OTHER TYPES OF BATTERIES.

FCC STATEMENT

NOTE: This device complies with Part 15 of the FCC Rules. Operation is subject to the following two conditions: (1) This device may not cause harmful interference, and (2) this device must accept any interference received, including interference that may cause undesired operation.

This equipment has been tested and found to comply with the limits for a Class B digital device, pursuant to Part 15 of the FCC Rules. These limits are designed to provide reasonable protection against harmful interference in a residential installation. This equipment generates, uses and can radiate radio frequency energy, and, if not installed and used in accordance with the instructions, may cause harmful interference to radio communications. However, there is no guarantee that interference will not occur in a particular installation. If this equipment does cause harmful interference to radio or television reception, which can be determined by turning the equipment off and on, the user is encouraged to try to correct the interference by one or more of the following measures:

- Reorient or relocate the receiving antenna.
- Increase the separation between the equipment and receiver.
- Consult the dealer or an experienced radio/TV technician for help.

CAUTION: Changes or modifications to this unit not expressly approved by the party responsible for compliance could void the user's authority to operate the equipment.

BATTLE ONLINE AT BEYBLADEBATTLES.COM![†]

[†]WEBSITE AVAILABLE FOR A LIMITED TIME ONLY.

Launching system works only with right-spin IR Spin Control tops.



Product and colors may vary.
© Takafumi Adachi, MFBBProject, TV Tokyo
Manufactured under license from TOMY Company, Ltd.
®* and/or TM* & © 2010 Hasbro. All Rights Reserved.
TM & © denote U.S. Trademarks. PN 7150220000



d-rights

AGES 8+

32327/32326 Asst.



IR SPIN CONTROL™



X-100

IR SPIN CONTROL

GALAXY PEGASUS™*



TOP:

x3 A76 or LR44 Alkaline
BATTERIES INCLUDED

Replace with 3 x 1.5V "A76" or LR44 size alkaline batteries. Phillips/cross head screwdriver (not included) needed to replace batteries.

CONTROLLER:

x3 1.5VAAA or R03 size
BATTERIES REQUIRED

Alkaline batteries recommended. Phillips/cross head screwdriver (not included) needed to insert batteries.

Only use Beyblade tops with a Beystadium™ (sold separately).

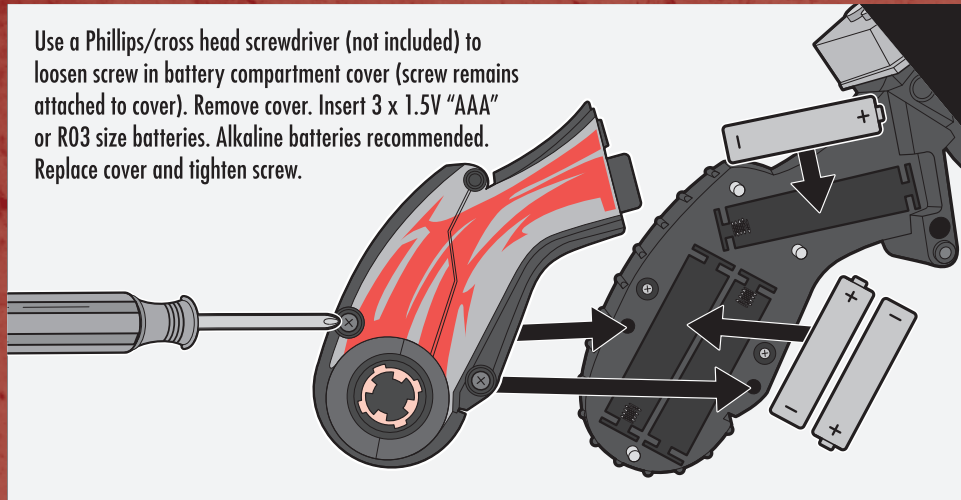
For best performance, do not use in direct sunlight or under halogen lights. Optimal range of operation: within 5 feet.

⚠ WARNING:

Do not use Beyblade™ tops or Beystadium™ (sold separately) on tables or other elevated surfaces.

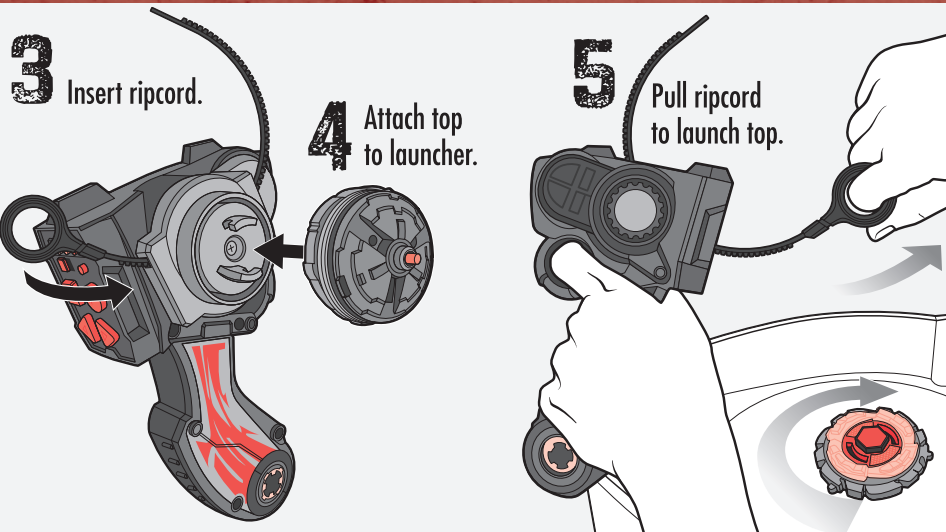
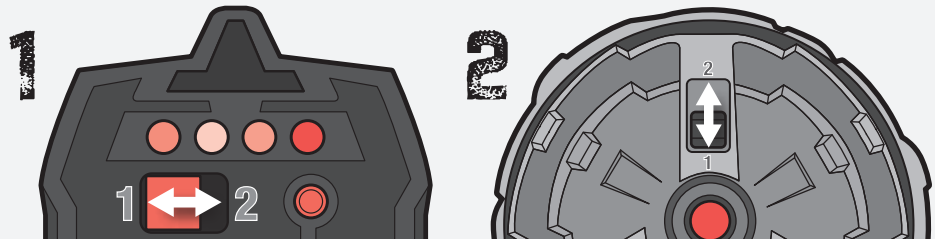
TO INSERT BATTERIES INTO CONTROLLER:

Use a Phillips/cross head screwdriver (not included) to loosen screw in battery compartment cover (screw remains attached to cover). Remove cover. Insert 3 x 1.5V "AAA" or R03 size batteries. Alkaline batteries recommended. Replace cover and tighten screw.



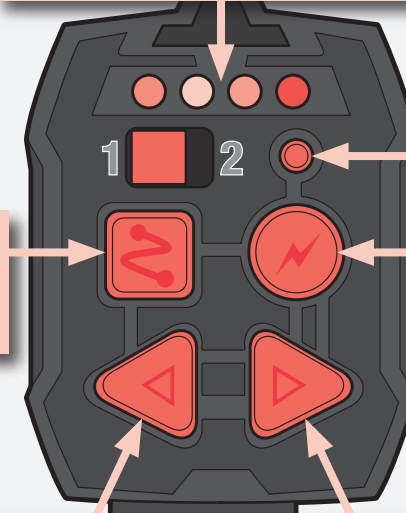
OPERATION:

Slide switches on controller and top to select Channel 1 or Channel 2. Both your top and controller need to be on the same channel. (Your opponent's controller and top will need to be on the opposite channel.)



CONTROLS:

LIGHTS: Show the remaining IR power supply in your top for this launch. When all the lights go out, your top is out of IR power but can continue to spin. Practice the way you use your power to use it effectively and improve your chances to win battles.



SPIRIT button: Activates Starbooster Attack™ Pegasus battle call and metal-clashing sounds.

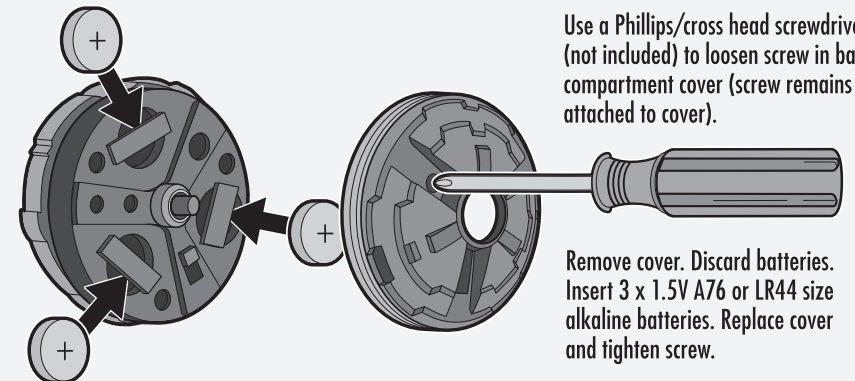
RESET button

POWER BOOST button: Pumps up top's spin speed.

ARROW buttons: Give you more control over the top's movement. The top will move differently depending on where it is in the Beystadium™ (sold separately). Practice using the arrow buttons when the top is in different areas to check its movement and practice your skills.

For best performance, do not use in direct sunlight or under halogen lights. Optimal range of operation: within 5 feet.

TO REPLACE BATTERIES IN TOP:



Use a Phillips/cross head screwdriver (not included) to loosen screw in battery compartment cover (screw remains attached to cover).

Remove cover. Discard batteries. Insert 3 x 1.5V A76 or LR44 size alkaline batteries. Replace cover and tighten screw.